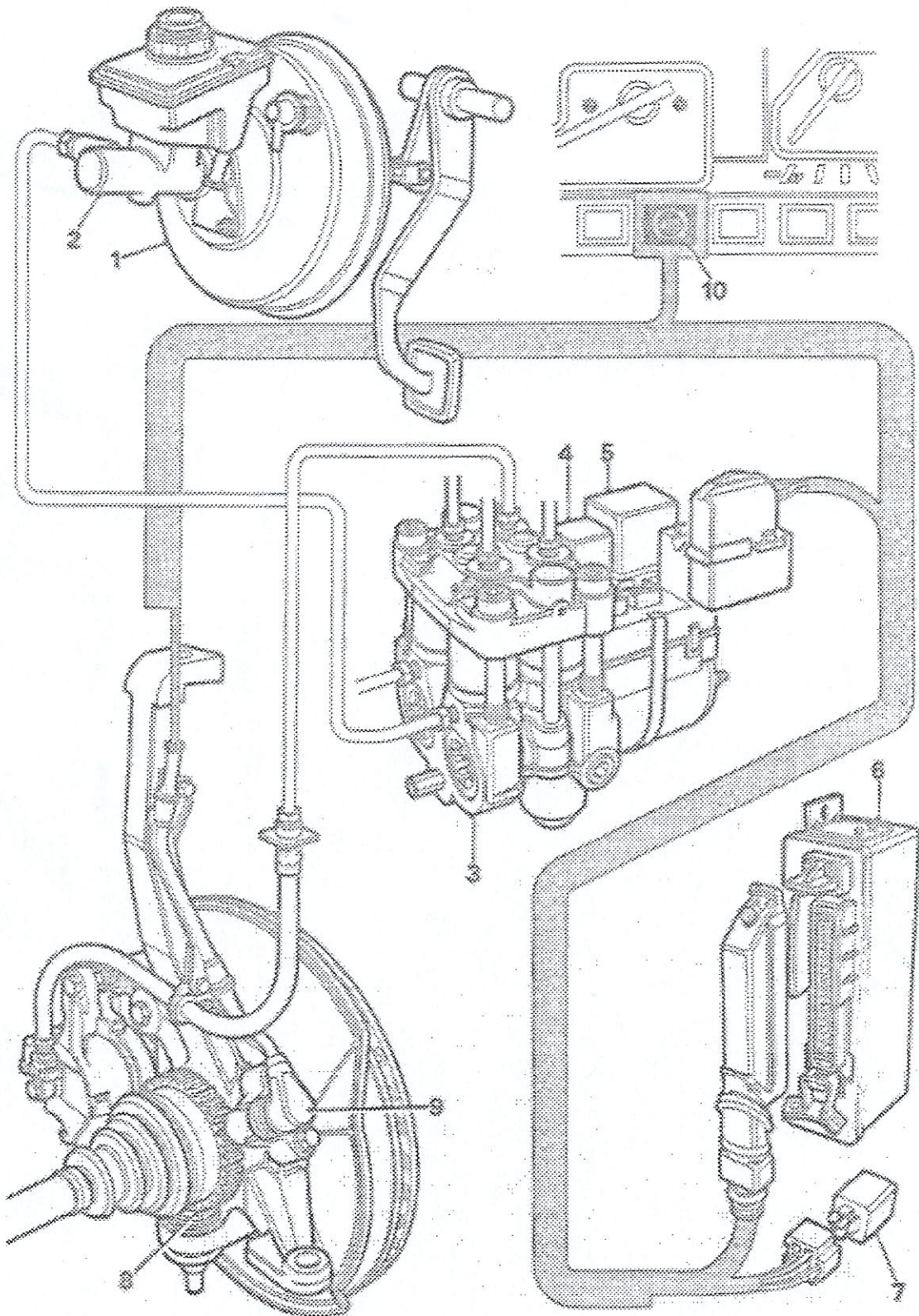
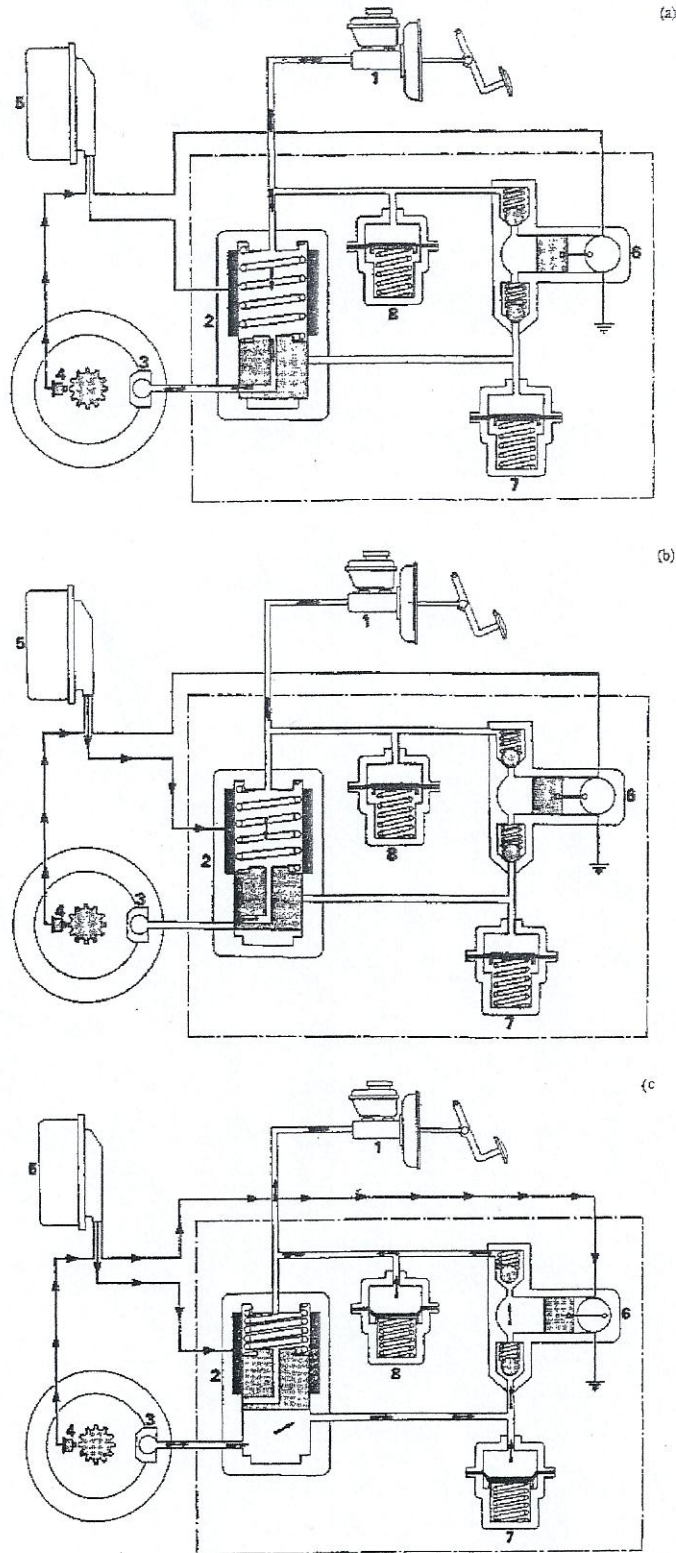


ABS Components



ABS system components; [1] brake servo; [2] master cylinder; [3] hydraulic modulator; [4] solenoid valve relay; [5] return pump relay; [6] ECU; [7] relay; [8] reluctor ring; [9] wheel speed sensor; [10] warning lamp.

ABS Hydraulic Circuit



Operation of ABS hydraulic control circuit: (a) normal braking and ABS INCREASE pressure position; (b) pressure HOLD position; (c) pressure DECREASE position. Key: [1] master cylinder; [2] solenoid valve; [3] brake wheel cylinder; [4] wheel speed sensor; [5] ECU; [6] return pump; [7], [8] accumulator.

